



Mechanically and manually operated valves

Individual mounting

Inline

Circuit bar mounting

cylinder ports
in valve

Function	Port size	Flow (Max)	Individual mounting
5/2	G1/4"	1400 NI/Min	Inline


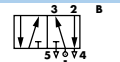
OPERATIONAL BENEFITS

1. Short stroke with high flow.
2. Powerful return force.
3. Bonded spool with minimum friction, shifting in a glass-like finished bore.
4. Wiping effect eliminates sticking.
5. Long service life.



HOW TO ORDER

Reset

Port size	Single operator	Double operator
		
G1/4"	180001-115- xxxx	18 xxxx -115- xxxx

MECHANICAL OPERATOR >

xxxx

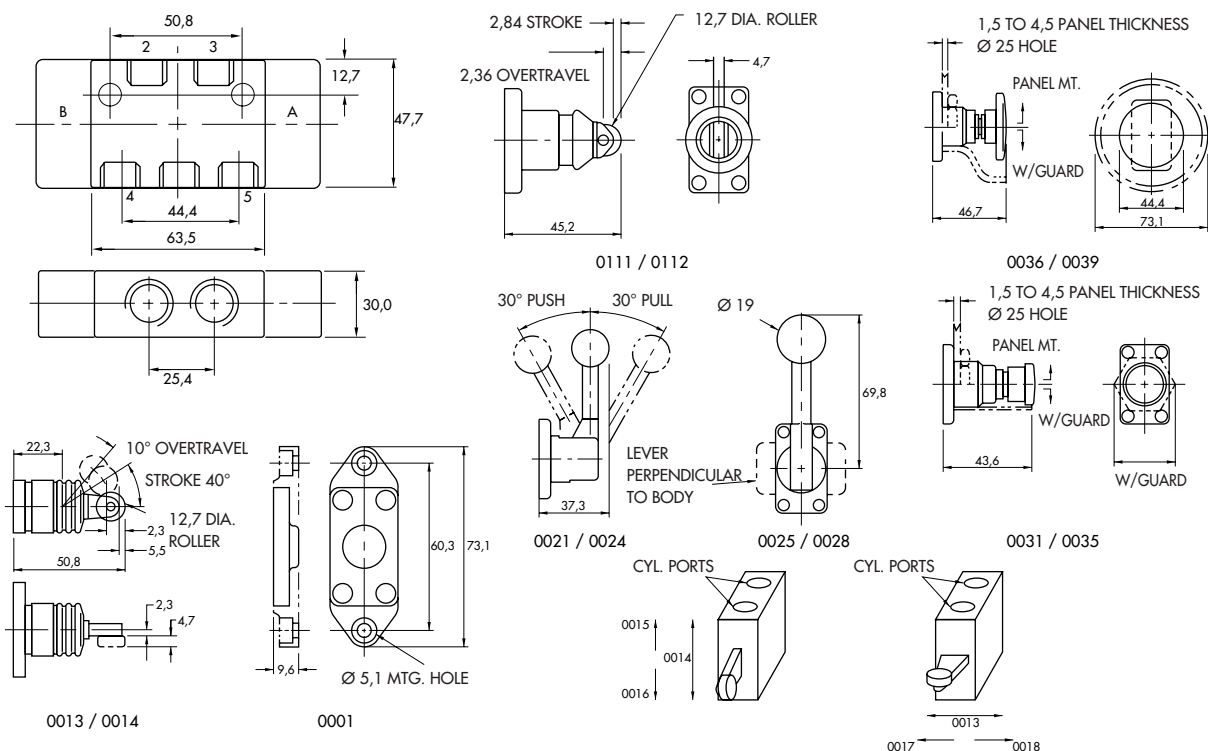
Code	Description	Code	Description	Code	Description
0111	Cam roller parallel to ports 2 & 3	0024	Lever non-locking pull perpendicular to body	0033	Push button with guard
0112	Cam roller perpendicular to ports 2 & 3	0025	Lever locking push parallel to body	0034	Push Pull
0013	Lever cam perpendicular to ports 2 & 3	0026	Lever non-locking push parallel to body	0035	Push Pull (panel mounting)
0014	Lever cam parallel to ports 2 & 3	0027	Lever locking pull parallel to body	0036	Palm button
0021	Lever locking push perpendicular to body	0028	Lever non-locking pull parallel to body	0037	Palm button (panel mounting)
0022	Lever non-locking push perpendicular to body	0031	Push button	0038	Palm button with guard
0023	Lever locking pull perpendicular to body	0032	Push button (panel mounting)	0039	Push Pull palm button

**TECHNICAL
DATA**

Fluid :	Compressed air, vacuum, inert gases
Pressure range :	Vacuum to 14 bar
Lubrication :	Not required, if used select a medium aniline point lubricant (between 80°C and 100°C)
Filtration :	40 μ
Temperature range :	-18°C to +50°C
Orifice :	7 mm
Flow (at 6 bar, ΔP=1bar) :	G 1/4" : 1400 Nl/min (C _v 1.4)
Leak rate :	50 cm ³ /min

- Spare parts : • Operator : 18XXXX (see codification).
- Options : • NPTF threads.

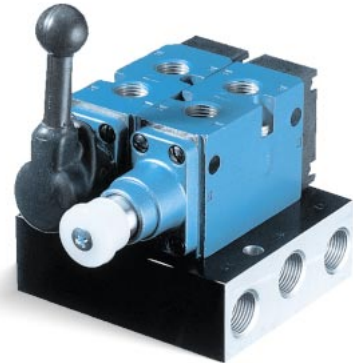
DIMENSIONS



Function	Port size	Flow (Max)	Circuit bar mounting
5/2	G1/4"	1300 NI/Min	cylinder ports in valve

OPERATIONAL BENEFITS

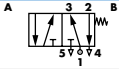
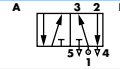
1. Short stroke with high flow.
2. Powerful return force.
3. Bonded spool with minimum friction, shifting in a glass-like finished bore.
4. Wiping effect eliminates sticking.
5. Long service life.



HOW TO ORDER

Reset

HOW TO ORDER VALVE FOR CIRCUIT BAR MOUNTING

Port size	Single operator	Double operator
		
G1/4"	180001-175-xxxx	18xxxx-175-xxxx

MECHANICAL OPERATOR >

XXXX

Code	Description	Code	Description
0025	Lever locking push parallel to body	0028	Lever non-locking pull parallel to body
0026	Lever non-locking push parallel to body	0034	Push Pull
0027	Lever locking pull parallel to body	0031	Push button

HOW TO ORDER CIRCUIT BAR **

Port size (Spacing 31 mm)	Standard circuit bar	Circuit bar with flow regulators (2 per station)
G3/8"	EBM800A-001B-XX	EBM800A-002B-XX

** Other options available. Consult factory.

Number of stations (03=3 stations)

Note : click for valves mounted on base at the factory (add -9 to the model number).

**TECHNICAL
DATA**

Fluid :	Compressed air, vacuum, inert gases
Pressure range :	Vacuum to 14 bar
Lubrication :	Not required, if used select a medium aniline point lubricant (between 80°C and 100°C)
Filtration :	40 µ
Temperature range :	-18°C to +50°C
Orifice :	7 mm
Flow (at 6 bar, ΔP=1bar) :	G 1/4" : 1300 Nl/min (C _v 1.3)
Leak rate :	50 cm ³ /min

Spare parts : • Operator : 18XXXX (see codification). • Blanking plate : M-08008.

Options : • NPTF threads. • Isolation of inlet and/or exhaust.

DIMENSIONS

